

**COMPACT  
PNEUMATIC CYLINDERS  
PKD-A SERIES Ø32- Ø100**



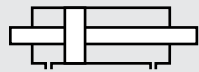


**PKD-A SERIES**

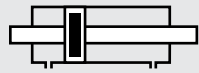
COMPACT - Ø32 - Ø100

COMPACT CYLINDER  
WITH MAGNET AND DOUBLE ROD

POSSIBILITY FOR DOUBLE  
DIRECTION RUN WITH IDENTITY  
STROKES COMPACT DIMENSION



**PKD:** COMPACT CYLINDERS WITH  
DOUBLE ACTING WITH DOUBLE ROD



**PKD-A:** COMPACT MAGNETIC  
CYLINDERS WITH DOUBLE ACTING  
WITH DOUBLE ROD

**Example of order:**

PKD-A  
Product Code

032-050  
Cylinder Ø  
Stroke

M1 M3  
Variants from  
Standard System

**VARIANTS FROM STANDARD SYSTEM:**

- R1: Stainless Steel Piston Rod (SS 304-SS 316)
- R4: Stainless Steel Nut for Piston Rod (SS 304)
- R5: Piston Rod as CK45 (Hard Chrome Plated)
- M1: Extended male Piston Rod Thread
- M3: Special Piston Rod Thread
- M4: Extended Piston Rod
- K1: Seals for Max. 150°C (Viton)
- K4: Piston Rod Seal Viton

**Force:**

Cylinder Ø mm	Rod Ø mm	Thrust and traction forces (6 Bar)	
		Thrust Force (N)	Traction Force (N)
32	12	415	415
40	12	687	687
50	16	1058	1058
63	16	1750	1750
80	20	2829	2829
100	25	4420	4420

**Working Fluid:**

Filtered and lubricated or filtered and not lubricated air

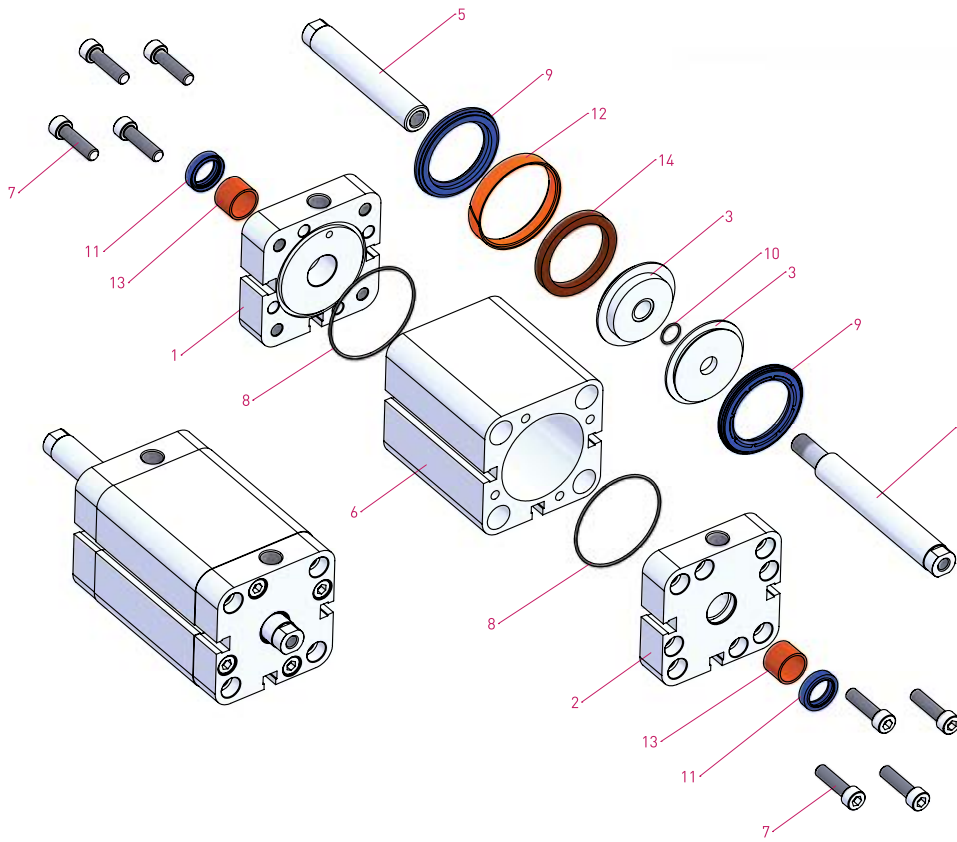
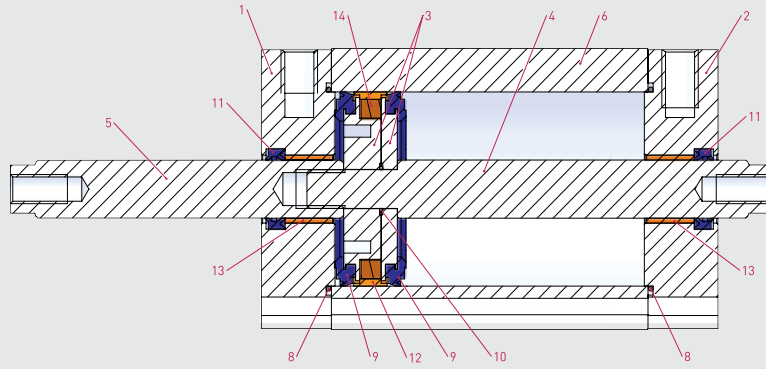
**Operating Temperature Range:**

Polyurethane (PU) : (-20°C) - (+80°C)

Viton (FKM) : (-30°C) - (+150°C)

**Max. Work Pressure:**

10 Bar

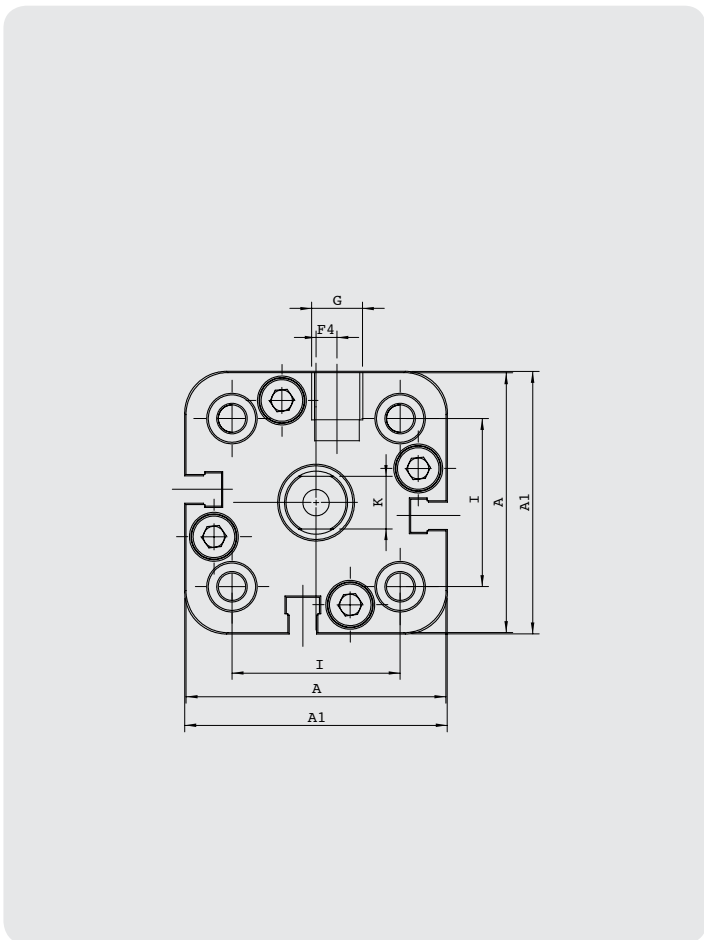
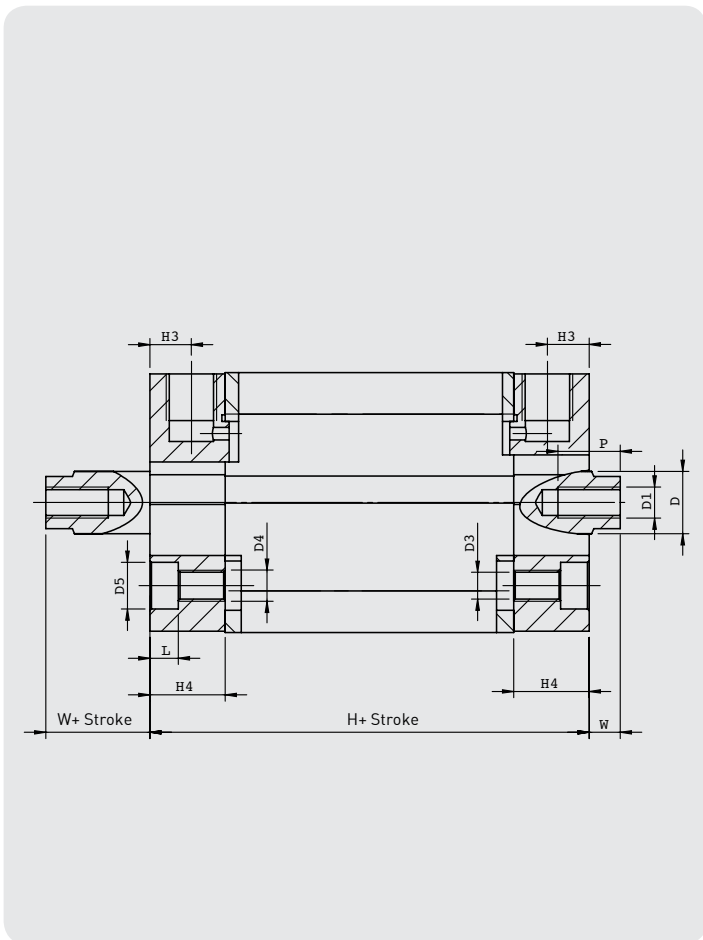


No	MATERIAL NAME	CHARACTERISTIC	PC.
1	Head	Aluminium	1
2	Head	Aluminium	1
3	Middle Piston	Aluminium	2
4	Male Piston Rod	X20 Cr13 Hard Chrome Plated	1
5	Female Piston Rod	X20 Cr13 Hard Chrome Plated	1
6	Tube	Al Mg Si 0,5 + EloxaI Plated	1
7	Bolt	Stainless Steel	8

No	MATERIAL NAME	CHARACTERISTIC	PC.
8	Head O-ring	NBR	2
9	Piston Seal	PU	2
10	Middle Piston O-ring	NBR	1
11	Rod Seal	PU	2
12	Guiding Band	Polyacetal	1
13	Guiding Bush	CSB-40	2
14	Magnet		1



**PKD-A SERIES**  
COMPACT - Ø32 - Ø100



Cylinder Ø mm	A	A1	D Ø	D1 Ø	D2 Ø	D3 Ø	D4 Ø	D5 Ø	F4	G	H	H3	H4	I	K	L	P	W
32	49,5	50	12	M6	6	5,2	M6	9	4	1/8"	44,5	8	14,5	32	10	5,5	12	6
40	57,5	58	12	M6	6	5,2	M6	9	3	1/8"	45,5	8	14,75	42	10	5,5	12	6,5
50	66,5	67	16	M8	6	6,7	M8	10,5	0	1/8"	45,5	8	14,75	50	13	6,5	12	7,5
63	79,5	80	16	M8	8	8,7	M10	13,5	0	1/8"	50	8	14,75	62	13	8,5	14	7,5
80	99,5	100	20	M10	8	8,7	M10	13,5	0	1/8"	56	8,5	16,5	82	17	8,5	15	8
100	123,5	124	25	M12	8	8,7	M10	13,5	0	1/4"	66,5	10,5	19,75	103	22	8,5	20	10

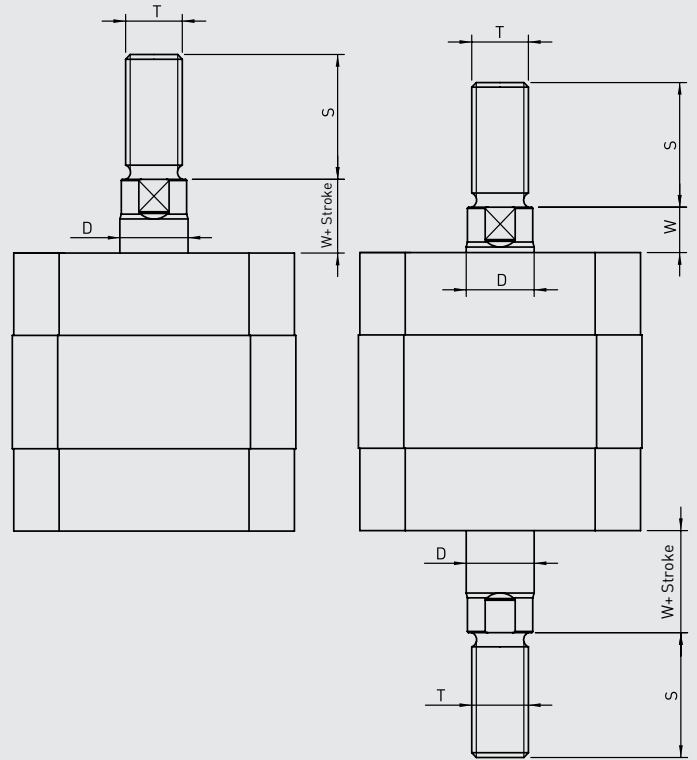
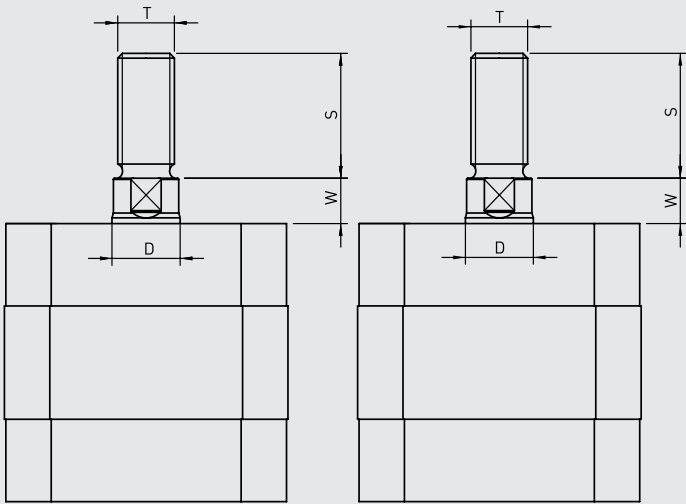


**PK-T**

**PKS-T**

**PKE-T**

**PKD-T**



Cylinder type	Cylinder Ø mm	D	S	T	W
	32	12	22	M10x1.25	6
	40	12	22	M10x1.25	6.5
PK-PKS	50	16	24	M12x1.25	7.5
PKE-PKD	63	16	24	M12x1.25	7.5
	80	20	32	M16x1.5	8
	100	25	40	M20x1.5	10